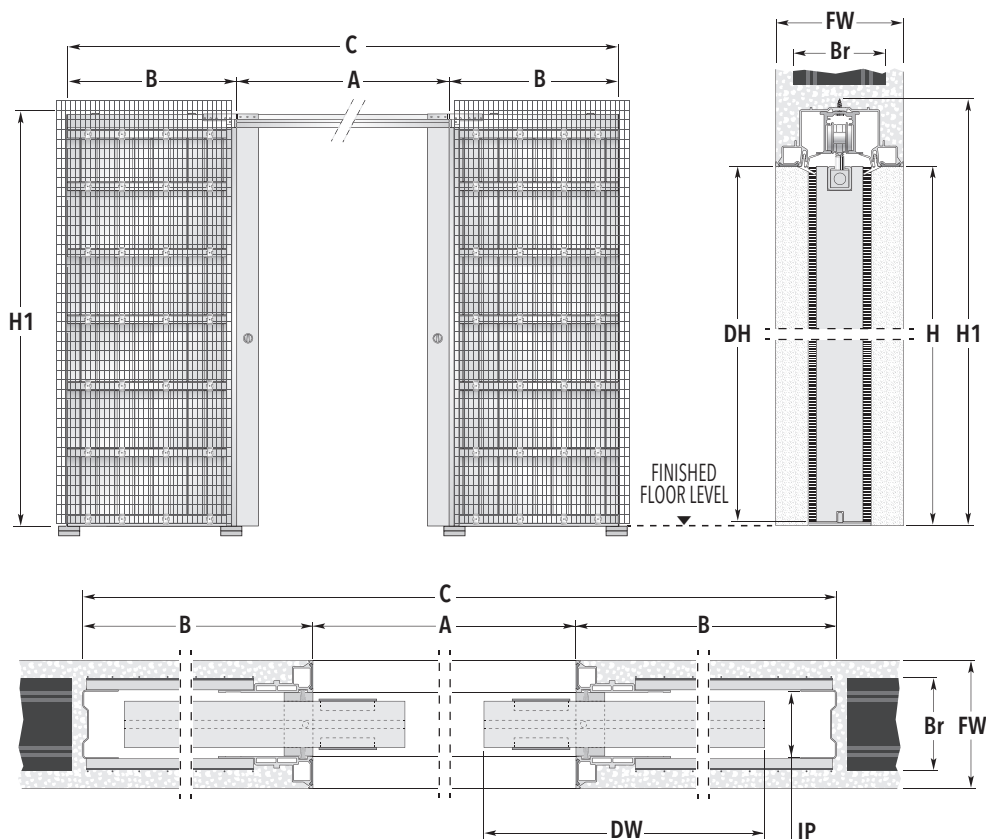


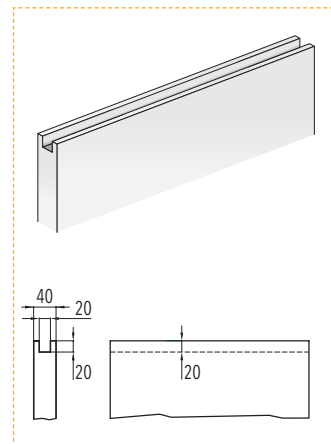
# ECLISSE SYNTESIS® LINE DOUBLE

## SOLID WALL



### WARNING

Door panels for ECLISSE SYNTESIS® FLUSH sliding pocket door systems must be milled along the upper and lower profiles, as shown below (milling not required on glass doors).



### SYSTEMS FOR DOUBLE DOOR - Measures related to Italian standards, other dimensions available

PASSAGE SIZE A x H	OVERALL DIMENSIONS		DOOR PANEL*	
	B	C x H1	DW	DH
1200 x 2000/2100	750	2686 x 2060/2160	615 ÷ 635	1992/2092
1400 x 2000/2100	850	3086 x 2060/2160	715 ÷ 735	1992/2092
1600 x 2000/2100	950	3486 x 2060/2160	815 ÷ 835	1992/2092
1800 x 2000/2100	1050	3886 x 2060/2160	915 ÷ 935	1992/2092
2000 x 2000/2100	1150	4286 x 2060/2160	1015 ÷ 1035	1992/2092

FINISHED WALL = FW	BRICKS = Br	INTERNAL PASSAGE = IP
108 →	80	54
125 →	100	54
150 →	120	54

Dimensions are given in mm

### NON-STANDARD SIZES

- ▶ Passage width  
FW 108: 600+600÷1000+1000 mm  
FW 125: 600+600÷1300+1300 mm  
FW 150: 600+600÷1300+1300 mm
- ▶ Passage height  
FW 108: 1000÷2600 mm  
FW 125: 1000÷2700 mm  
FW 150: 1000÷2700 mm
- ▶ Half sizes require bespoke door panels (e.g. A=1300 mm).

### NOTES

- ▶ Passage width A is reduced by 14 mm.
- ▶ For A>2000 mm only FW 125 and FW 150 are available.
- ▶ Max. door thickness 40 mm (including any glass holder for glazed door).
- ▶ Max. door weight 100 kg (150 kg on request).
- ▶ Due to production characteristics of the system and for safety reasons, ECLISSE recommends the door protrudes by 80 mm.
- ▶ If needed, the adjustable door stop allows to modify the real passage size.
- ▶ For the door to disappear completely, milling is required.
- ▶ The milling for the door guide must have the following dimensions: 7x15 mm.
- ▶ Install at finished floor level.
- \* Listed measures refers to wooden door panels only.

### ACCESSORIES

- ▶ Double door co-ordination for SYNTESIS® FLUSH
- ▶ ECLISSE BIAS®
- ▶ ECLISSE BIAS® DS
- ▶ ECLISSE PUSH&PULL S
- ▶ Anti-warp profile
- ▶ ECLISSE SYNTESIS® BASEBOARD