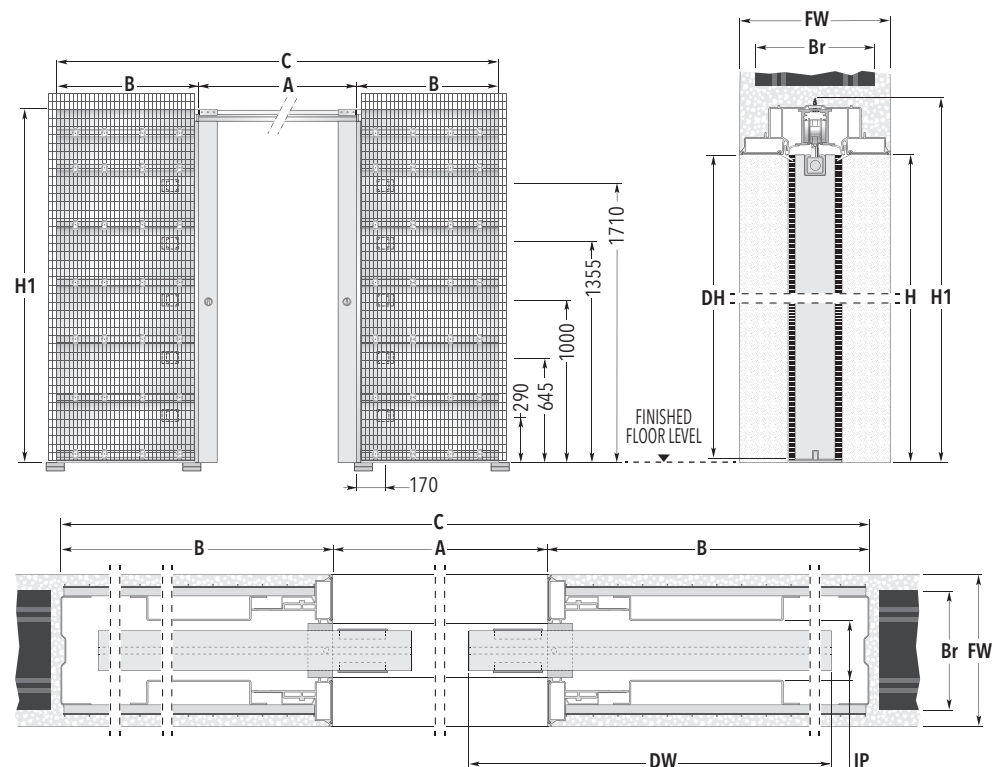


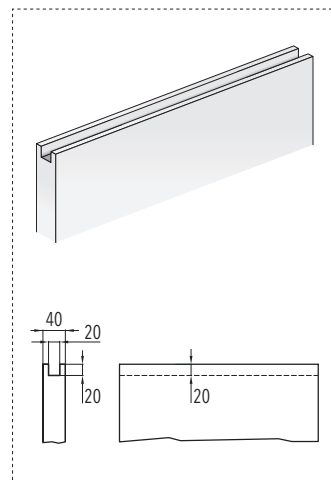
# ECLISSE SYNTESIS® LUCE DOUBLE

## SOLID WALL



### WARNING

Door panels for ECLISSE SYNTESIS® FLUSH sliding pocket door systems MUST be milled along the upper and lower profiles, as shown below (milling not required on glass doors).



### SYSTEMS FOR DOUBLE DOOR - Measures related to Italian standards, other dimensions available

PASSAGE SIZE A x H	B	OVERALL DIMENSIONS C x H1	DW	DOOR PANEL* DH
1200 x 2000/2100	750	2686 x 2060/2160	615 ÷ 635	1992/2092
1400 x 2000/2100	850	3086 x 2060/2160	715 ÷ 735	1992/2092
1600 x 2000/2100	950	3486 x 2060/2160	815 ÷ 835	1992/2092
1800 x 2000/2100	1050	3886 x 2060/2160	915 ÷ 935	1992/2092
2000 x 2000/2100	1150	4286 x 2060/2160	1015 ÷ 1035	1992/2092

FINISHED WALL= FW	BRICKS= Br	INTERNAL PASSAGE= IP
150	120	54

Dimensions are given in mm.

### NON STANDARD SIZES

### NOTES

- ▶ Passage width from 600+600 to 1300+1300 mm.
- ▶ Passage height from 1000 to 2700 mm.
- ▶ Half sizes need bespoke door panels (e.g. A=1300 mm).
- ▶ The passage A is reduced by 14 mm.
- ▶ Only standard positions for the electrical boxes.
- ▶ Positions for the electrical boxes are supplied as standard on both sides of one pocket.
- ▶ Provided with 4 electrical boxes.
- ▶ Max door thickness 40 mm (including any glass holder for glazed door).
- ▶ Max. door weight 100 kg (150 kg on request).
- ▶ Install at finished floor level.
- \* Listed measures refer to wooden door panels only.
- ▶ Due to system's productive characteristics and for safety reasons, ECLISSE recommends the door panel protrudes 80 mm.
- ▶ If needed, the adjustable door stop allows to modify the real passage size.
- ▶ In order to ensure that the door disappear completely, a milling is required.
- ▶ The milling for the door guide must have the following dimensions: 7 x 15 mm.



### ACCESSORIES

- ▶ ECLISSE SYNTESIS® BASEBOARD
- ▶ Double doors co-ordination for ECLISSE SYNTESIS®
- ▶ ECLISSE BIAS®
- ▶ ECLISSE BIAS®DS
- ▶ Anti-warp profile
- ▶ ECLISSE PUSH&PULL S