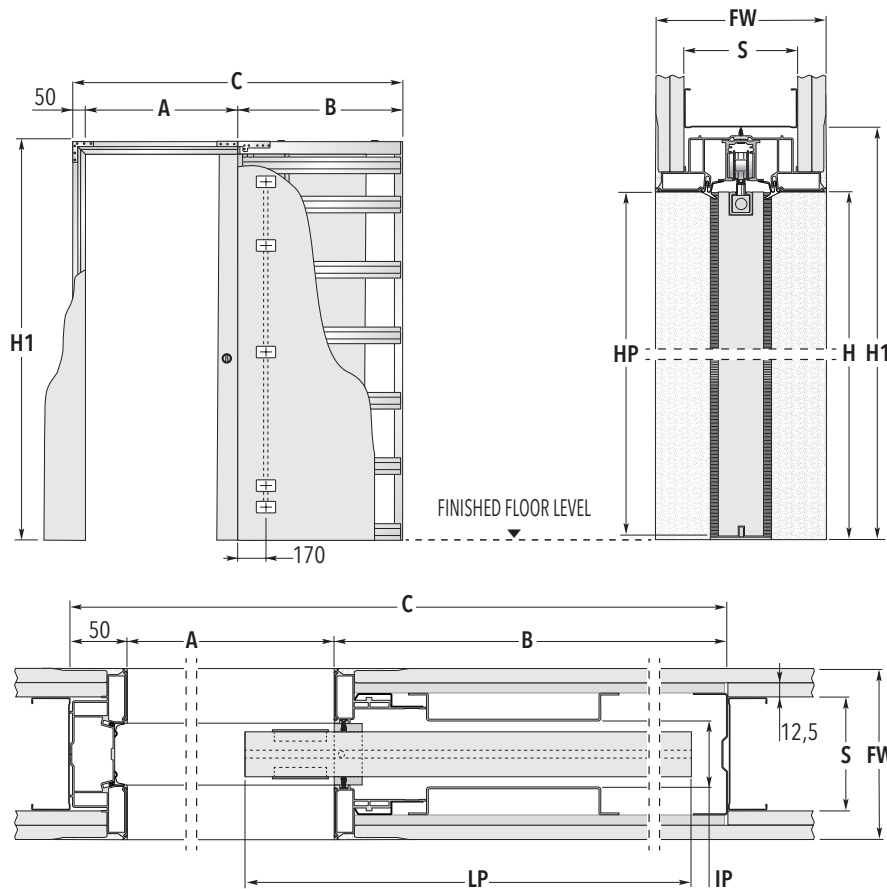
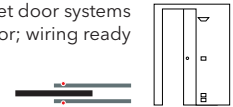


ECLISSE SYNTHESIS® LUCE SINGLE

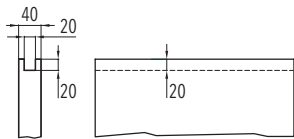
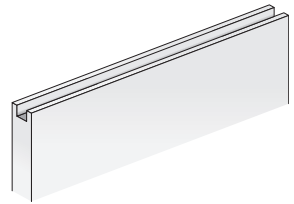
STUD WALL

Flush sliding pocket door systems
for single door; wiring ready



WARNING

The door panel for ECLISSE SYNTHESIS® LUCE must be milled along the upper and lower profiles, as shown in the drawings (milling not required on glass doors).



SYSTEMS FOR SINGLE DOOR - Measures related to Italian standards, other dimensions available

PASSAGE SIZE A x H	OVERALL DIMENSIONS		DOOR PANEL*	
	B	C x H1	LP	HP
600 x 2000/2100	750	1393 x 2060/2160	615÷635	1992/2092
700 x 2000/2100	850	1593 x 2060/2160	715÷735	1992/2092
800 x 2000/2100	950	1793 x 2060/2160	815÷835	1992/2092
900 x 2000/2100	1050	1993 x 2060/2160	915÷935	1992/2092
1000 x 2000/2100	1150	2193 x 2060/2160	1015÷1035	1992/2092

THICKNESS AVAILABLE	Finished Wall= FW	Studwork= S	Internal Passage= IP
	150	S=100 mm with two plasterboard layers but only one layer on the pocket on each side	54

Dimensions are given in mm.



NON STANDARD SIZES

- ▶ Passage width from 600 to 1300 mm.
- ▶ Passage height from 1000 to 2700 mm.
- ▶ Frames manufactured in increments of 50 mm.
- ▶ Half sizes need bespoke door panels (e.g. A=650 mm).



NOTES

- ▶ The passage A is reduced by 7 mm.
 - ▶ Positions for the electrical boxes are supplied as standard on both sides of one pocket
 - ▶ Provided with 2 electrical boxes
 - ▶ Max door thickness 40 mm (including any frames for glass door).
 - ▶ Max. door weight 100 Kg.
 - * Wooden door panel measures only.
- For safety reasons ECLISSE recommends that the door panel is left protruding by 80 mm.
- ▶ If needed, the adjustable door stop allows to modify the real passage size.
 - ▶ In order to make the door completely disappear a milling is required.
 - ▶ The milling for the door guide must have the following dimensions: 7 x 15 mm.



AVAILABLE ACCESSORIES

- ▶ ECLISSE SYNTHESIS® BASEBOARD
- ▶ ECLISSE BIAS®
- ▶ ECLISSE BIAS®DS
- ▶ Anti-warp profile
- ▶ ECLISSE Push&Pull S