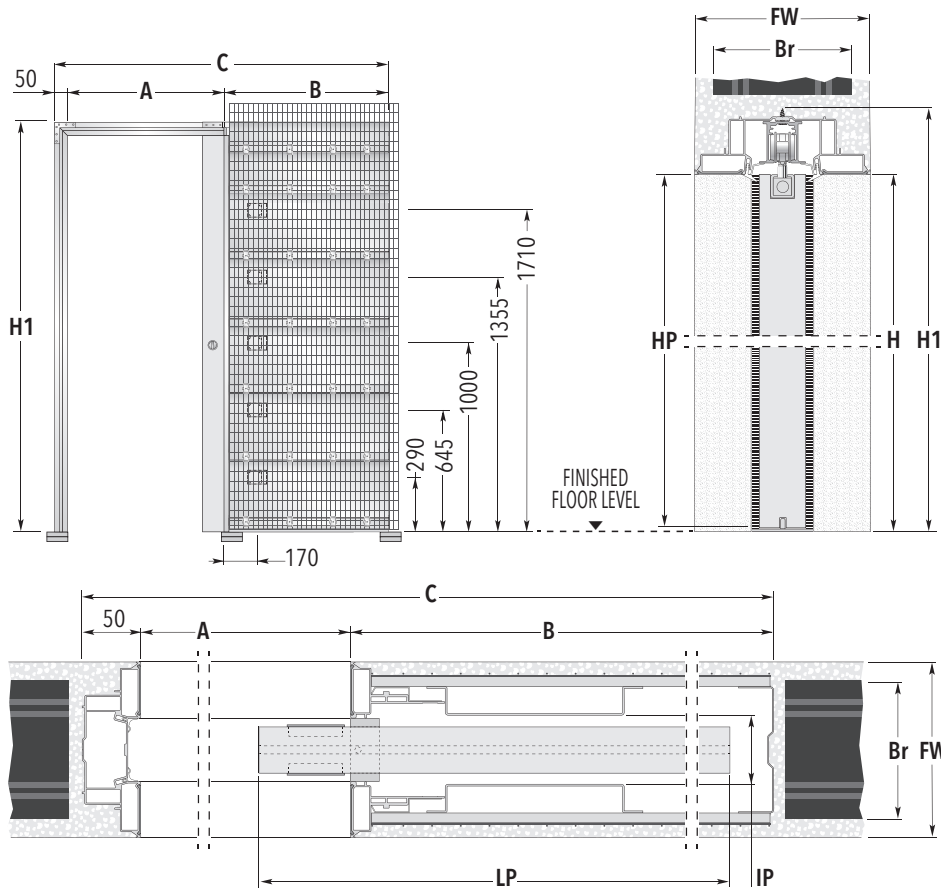
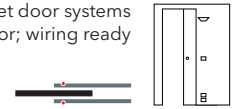


ECLISSE SYNTESIS® LUCE SINGLE

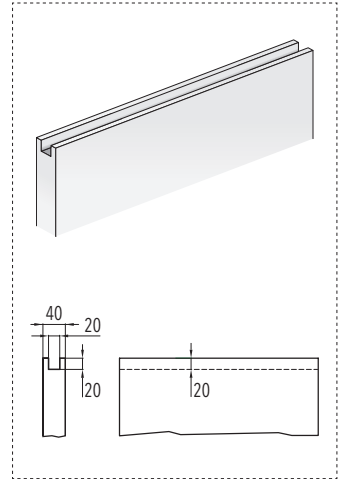
SOLID WALL

Flush sliding pocket door systems
for single door; wiring ready



WARNING

The door panel for ECLISSE SYNTESIS® LUCE must be milled along the upper and lower profiles, as shown in the drawings (milling not required on glass doors).



SYSTEMS FOR SINGLE DOOR - Measures related to Italian standards, other dimensions available				
PASSAGE SIZE A x H	B	OVERALL DIMENSIONS C x H1	LP	DOOR PANEL* HP
600 x 2000/2100	750	1393 x 2060/2160	615÷635	1992/2092
700 x 2000/2100	850	1593 x 2060/2160	715÷735	1992/2092
800 x 2000/2100	950	1793 x 2060/2160	815÷835	1992/2092
900 x 2000/2100	1050	1993 x 2060/2160	915÷935	1992/2092
1000 x 2000/2100	1150	2193 x 2060/2160	1015÷1035	1992/2092
THICKNESS AVAILABLE	Finished Wall= FW	Brick= Br	Internal Passage= IP	
	150	120	54	

Dimensions are given in mm.

NON STANDARD SIZES

- ▶ Passage width from 600 to 1300 mm.
- ▶ Passage height from 1000 to 2700 mm.
- ▶ Frames manufactured in increments of 50 mm.
- ▶ Half sizes need bespoke door panels (e.g. A=650 mm).



NOTES

- ▶ The passage A is reduced by 7 mm.
- ▶ Only standard positions for the electrical boxes are possible.
- ▶ Positions for the electrical boxes are supplied as standard on both sides of one pocket
- ▶ Provided with 2 electrical boxes
- ▶ Max door thickness 40 mm (including any frames for glass door).
- ▶ Max. door weight 100 Kg.
- * Wooden door panel measures only.

For safety reasons ECLISSE recommends that the door panel is left protruding by 80 mm.

- ▶ If needed, the adjustable door stop allows to modify the real passage size.
- ▶ In order to make the door completely disappear a milling is required.
- ▶ The milling for the door guide must have the following dimensions: 7 x 15 mm.



AVAILABLE ACCESSORIES

- ▶ ECLISSE SYNTESIS® BASEBOARD
- ▶ ECLISSE BIAS®
- ▶ ECLISSE BIAS®DS
- ▶ Anti-warp profile
- ▶ ECLISSE Push&Pull S